

The OSV logo consists of the letters 'OSV' in a white, bold, sans-serif font, positioned on a black rectangular background. Above this background are three horizontal stripes: a yellow stripe at the top, a blue stripe in the middle, and a white stripe at the bottom.

Free Trade Warehousing Zone By OSV

India's #1 Fully Integrated Logistics Solution Provider



Free Trade
Warehousing



International
Logistics



Customs
Clearances



3rd Party
Logistics



Consolidation



Repackaging
& more

About Us – History, Mission, Vision and Values

OSV is a brand promoted by **ONNSYNEX Ventures Private Limited** and a JV between ONN and Synergy Group of Companies backed with over a 50 years of experience in multifold industries including – *International logistics, Clearances, Hospitality, Real Estate, Infrastructure and Free Trade Warehousing*. The team is known for its troubleshooting capabilities, providing unique solutions, creativity and offering incomparable service standards.

As a business, we're always looking to improve the way we work and the value we deliver. To help us do that we have defined our mission, vision and values – Our Group Management Philosophy that guides everyone who works at OnnSynex across the globe

MISSION

To become world's preferred supply chain logistics company- Applying insight, service quality and Innovation to create sustainable growth for business and society

VISION

Connecting people, businesses and communities to a better future –through logistics.

VALUES

- ✓ *Connected*
- ✓ *Committed*
- ✓ *Creative*
- ✓ *Sustainable*

Our Brand Promise: Create Better Connections:

Our promise is a short-hand for what we aim to deliver time and time again. It summarizes our management philosophy and explains that we want to connect to a more prosperous future by building better relationships and ties across the world with all stakeholders – our customers, colleagues, partners, and society.

Service Portfolio – Strengths and Highlights

OSV



Free Trade Warehouse

Duty free import, pay duties only when sold in DTA, tax and operational benefits to foreign entities, tenure of storage.



International Logistics

Import/export through Sea and Air across the globe through efficient and innovative logistics management.



Customs Clearances

Get your goods custom cleared smoothly at all major ports by our team of experts.



Consolidation

Enabling traders to transact with tax benefits at lowered logistics cost.



3rd Party Logistics

Better transport rates, global reach, transparency in storing and distribution of goods.



Value Added Services

Repackaging, kitting, re-labelling, assembly, lashing, shrink wrapping, strapping, palletization, bottling, clubbing, quality, quality checking, testing, combination packing, handling, storage of empty containers etc.

The background of the slide is a photograph of a warehouse. In the foreground, a woman in a white striped shirt and a man in a light blue shirt are looking at a laptop. The laptop has the OSV logo on its lid. The warehouse is filled with stacks of cardboard boxes.

Free Trade Warehousing Zone The FTWZ Concept

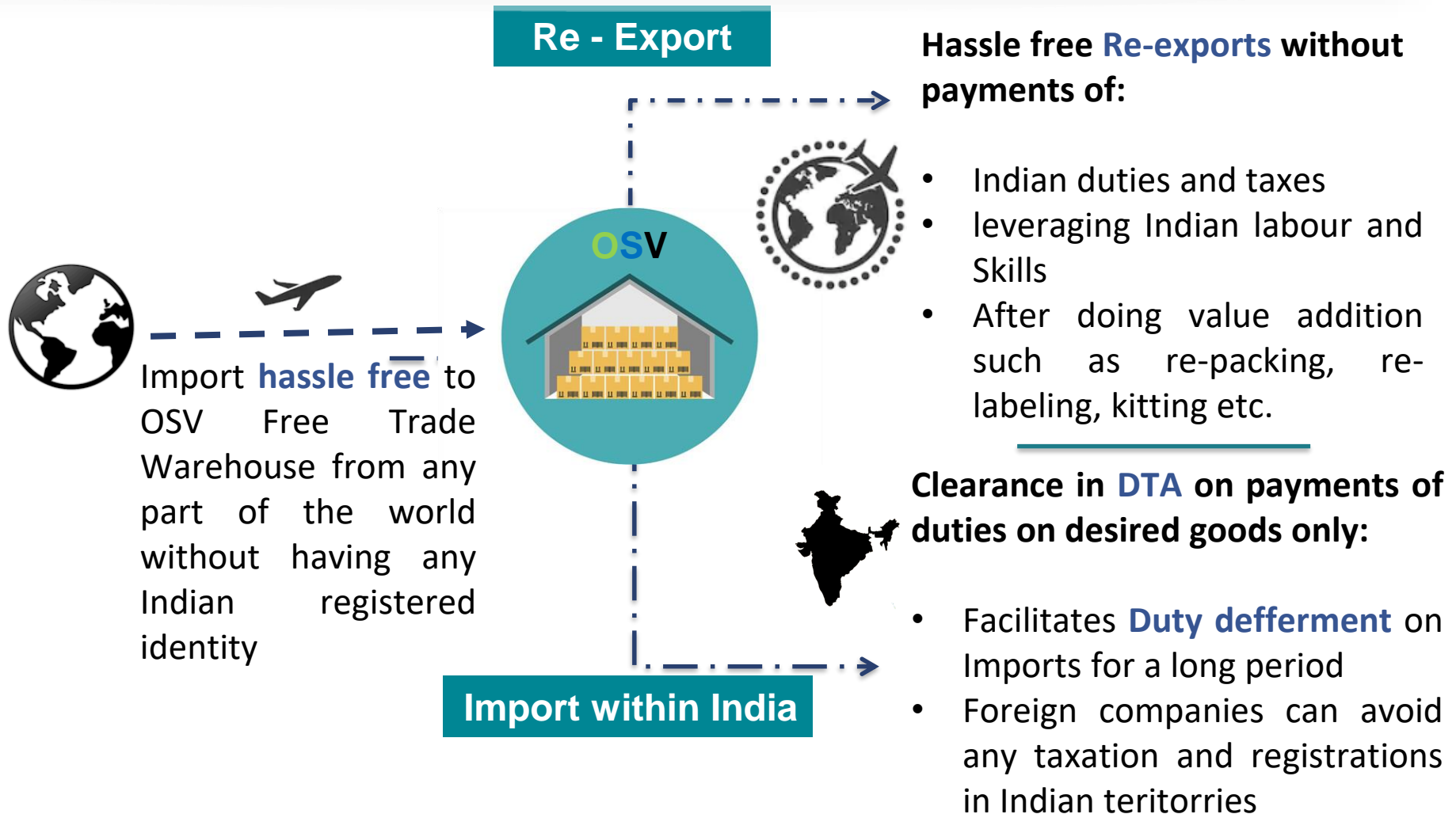
Free Trade Warehousing is an international concept formulated to promote global trade practices and enhance trade volumes and relationships between nations & to offer liberal benefits and convenience to its International trade economy.

It allows to **import, export** to and from India with benefits of **duty deferment**, tax benefits, cost efficiency and better distribution channels. It also empowers to **re-export** goods from India without the burden of Indian duties and taxes that are otherwise levied on goods once brought to India. It offers clearances not only in parts and portions but also with value additions such as re-packing, re-labeling, kitting, palletization, assembly to non duty paid goods.

The zone is established strategically to offer time-and-cost advantage by enabling quicker regulatory clearances, tax and duty incentives, flexibility, visibility and reduced **working capital expenses**. It also lets you leverage India's cost and skill arbitrage, and empowers you with its strategic geographical position.

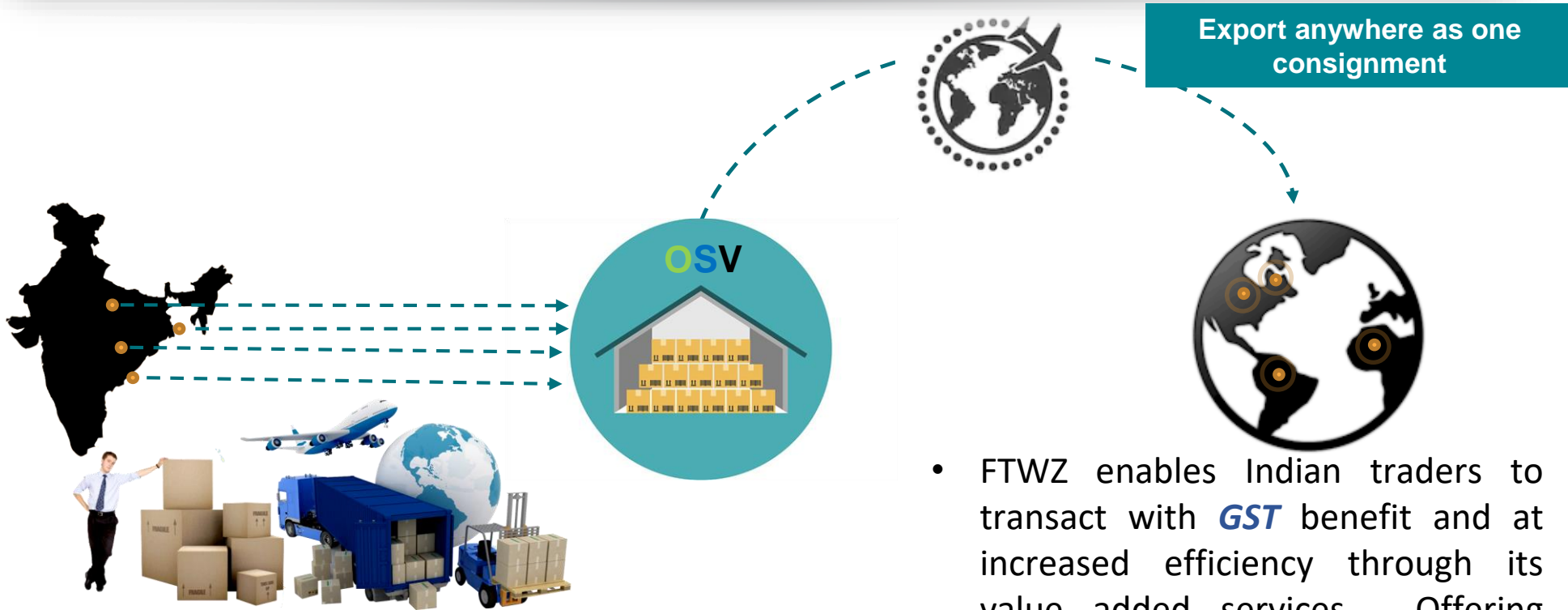
FTWZ Process Chart : Re-Export & DTA

OSV



FTWZ Process Chart : Consolidation & Export

OSV

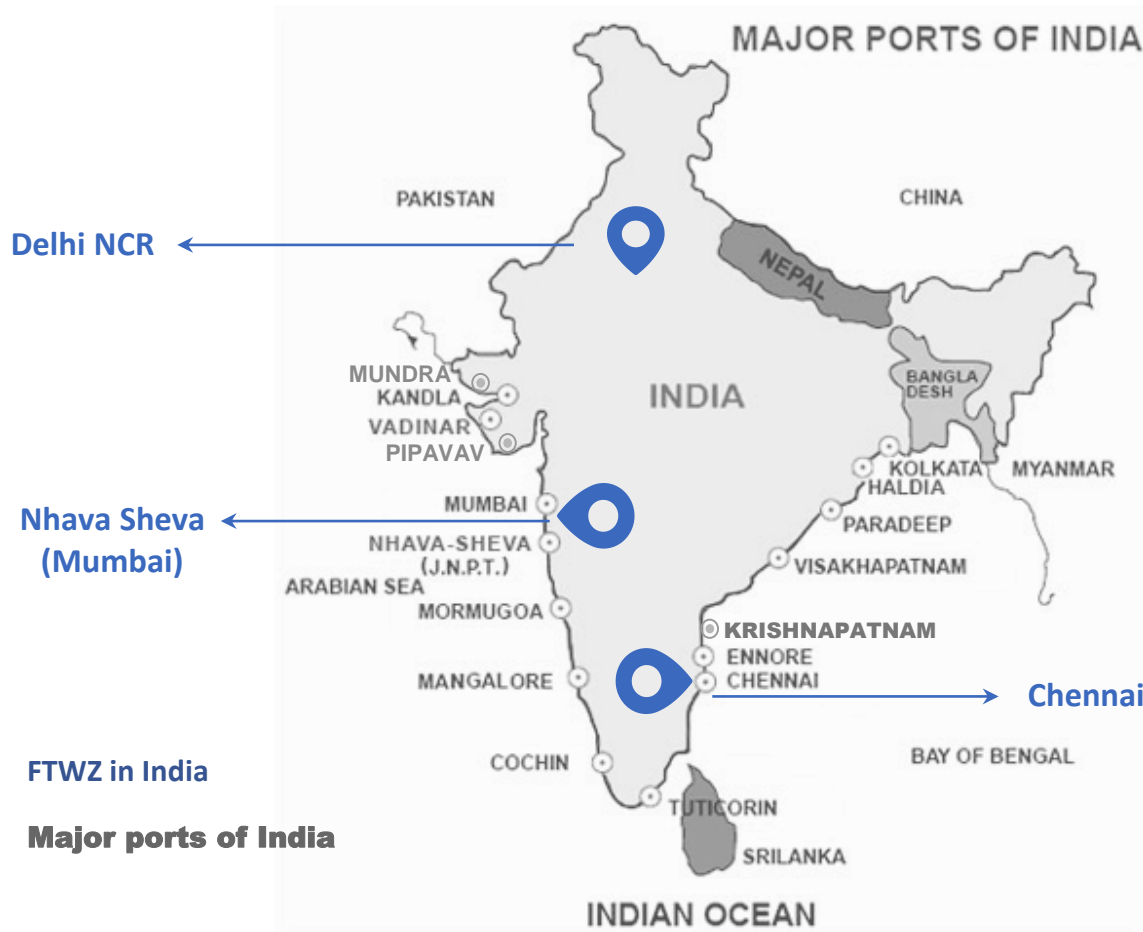


Goods sourced from **multiple locations** within India or abroad or consolidation by foreign buyers

- FTWZ enables Indian traders to transact with **GST** benefit and at increased efficiency through its value added services - Offering better distribution channels, **deferred duty/tax payments**, and lowered costs.
- FTWZ also enables traders to consolidate and save on logistics cost.

OSV FTWZ & Connectivity with Major Indian Ports

OSV



Distance Between Port/Icd To OSV FTWZ :

- From Delhi ICD Tkd. - 30Kms
- From Delhi Airport. - 35Kms
- From Delhi NCR(Dadri ICD) - 30Kms
- From JNPT - 25Kms
- From Mumbai Airport - 57Kms
- From Chennai Sea port - 42Kms
- From Chennai Airport - 32Kms

FTWZ - An Overview

OSV



DUTY FREE IMPORT!

The scheme envisages duty free import of all permissible goods for warehousing.



PAY DUTIES ONLY WHEN SOLD IN DTA!

The warehoused Goods can be sold to DTA and the Duty applies only upon clearance and that too on desired quantities only



TAX AND OPERATIONAL BENEFITS TO FOREIGN ENTITIES!

Accessibility to operate in India without any licensing and creating any Tax Liabilities in India



TENURE OF STORAGE!

The non duty paid goods are permissible for storage up to THREE years without any Duties, Interests or Taxes



FTWZ - An Overview

OSV



SECURED CONFIDENTIALITY & ADDED VALUE!

Packing or re-packing with processing and labelling can be done on Non-custom duty paid goods as per customer's business model or marketing requirements.



NOW IN INDIA!

An internationally accepted and appreciated facility now available at a prime locations in India additionally offering its cost, labour, geographic and skill advantages



INTERNATIONAL INFRASTRUCTURE!

The facility offers a state of the art infrastructure for its clients to vouch for with an amazing range of benefits



CONSOLIDATION & DECONSOLIDATION HUB!

Can be treated as a consolidation centre for trader exporters to bring in goods from multiple vendors and countries and also gain logistics and Tax benefits or to de-consolidate imports and release partially



Who Benefits with OSV FTWZ?

OSV





Unique Benefits For IMPORTS



Flexibility towards end distribution in India



Duty deferment benefits (freeing up working capital & increasing sales)



Quality control capability prior to duty-payment



VAS services such as re-packing, re-labelling, kitting, assembly etc.



Hassle-free re-export regulatory /duty implications



Duty/GST Deferments -Reduced buffer stocks - Delivery Time



Real time warehouse stock data monitoring and managements via OSV WMS



Lowered costs in logistics, handling & products



Unique Benefits For EXPORTS



Foreign exchange transaction capability



Products from India entering the FTWZ are treated as deemed exports making suppliers eligible to get export benefits

GST

GST exemption on all activities conducted inside the FTWZ



Export quotas can be met for companies exporting into FTWZ



Increased efficiency through lowered reverse logistics through quality control before dispatch from India



Real time warehouse stock data monitoring and managements via OSV WMS



Unique Benefits For
RE-EXPORTS



Foreign exchange transaction capability



Increasing supply chain efficiencies (forward & reverse) while enhancing capital cash flow

GST

GST exemption on all activities conducted inside the FTWZ including rental & labour



Exemption from custom and stamp duty on products imported into FTWZ; meant for re-export out of India



Hassle-free re-export process



Ability to leverage India's cost, skill & geographic positioning advantage as a hub for regional/global distribution post Value Optimising activities

CBW V/S FTWZ : A Comparison

OSV

Function	Customs Bonded Warehouse	OSV Free Trade Warehousing Zone
Requirement of Import Export code	Mandatory	Not Required
Requirement of GST number	Mandatory	Not Required
Prior Bill of Entry to be filed	Mandatory	Mandatory
Permissible Cargo for warehousing	Foreign Cargos Only	Foreign & Domestic Cargos
Paper work and Delay	Complex and delays may occur	Simple and express clearance
Prior NOC	MANDATORY relevant Participating Agencies	Not Required
Customs Bond	Triple Duty Bonds required for all warehouse entries from consignee	Not Required

CBW V/S FTWZ : A Comparison

OSV

Function	Customs Bonded Warehouse	OSV Free Trade Warehousing Zone
Payment of Duty	Duties are due prior to release from bonded warehouse	Payment of Duty is only for & applicable at the time of DTA Clearance
Interest on Applicable Duty	15 % (P.A.) applicable after 90 Days on Duties	Not Applicable
Storage Period	Maximum up to 3 MONTHS (extendable only on payment of interests limited to 1 year)	3 YEARS (extendable up to 5 years)
Permitted Activity	Sorting and Repacking only after cumbersome procedures & special permissions	Labeling, Re-labelling, packing, re-packing, kitting, consolidation, de-consolidation, Testing, Bottling, Palletization, etc. is freely permissible
Insurance	Limited	Comprehensive
Acceptable payment against Sale	Indian Rupee only	Foreign Exchange and Indian Rupees

OSV Free Trade Warehousing – Storage Types

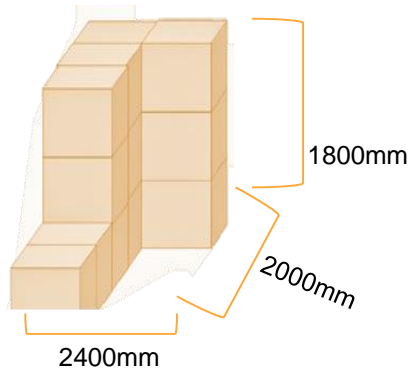
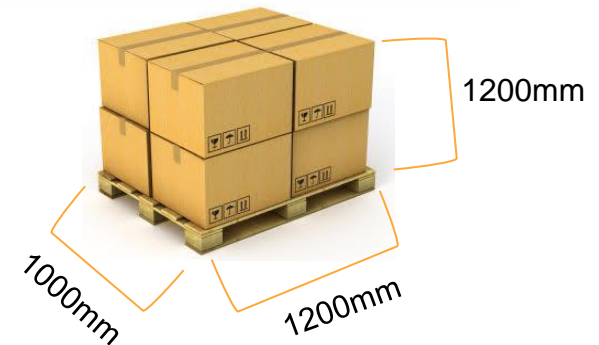
1. Pallet Racking System

Two Types of Pallet Sizes available

- Euro Pallet II

D1000 * W1200 * H1200 mm With Maximum Weight of 1000 Kgs &

- D1000 * W1200 * H1800 mm (Including Pallet/S)



2. Block Storage

D2000 * W2400 * H1800 mm

3. Dedicated Space For Warehousing, Show Casing etc.

- Available on Per Sqft Basis. Useful For Product Display, Sensitive Cargo, Spares, Electric Panels, Fast Moving Goods Etc.



4. For Over Dimensional Cargo

- Subject To Size, Weight, Dimensions & Handling of The Products



5. For Cold Storage & Temperature Control

- Tailor Made Solutions Available As Per Client's Requirement
- Useful for Medicine, Medical Equipment, Chocolate Product, Food Products, Cosmetic Products, Perishable Cargo, Rubber parts etc.



OSV Free Trade Warehousing – Infrastructural Highlights

OSV

- Fully Automated Warehouse Management Software (WMS)
- Client Dashboard (Insights of Shipments and Stored Materials with Stock & Monthly Reporting System)
- Online Order Creation Offering Convenience For International Clients to Place Orders at all times Eliminating Time Zone Differences and as per Specialized Requirements Such as Lifo, Fifo, Expiry Date etc.
- Three Tier Security System
- High Definition Cameras (24x7 Surveillance)
- Dust & Fire-Resistant Storage Facility
- Modern Racking Systems as per International Standards
- Completely Seismic Compliant Structure & Design
- Man-Up Cranes and Wire Guided Material Handling Equipment eliminating any chance of mishandling
- In-house barcoding & inventory management system for easy retrieval & faster through put
- Comprehensive Insurance Coverage



OSV



Freight Forwarding

OSV

Sea Freight:

At OSV we work with selected quality carriers offering multiple shipping options, competitive transit times and maximized container availability. The combination of our global reach, local expertise and personal service helps your company reach your goals through efficient logistics.

Air Freight:

OSV's success in retaining our customers is all due to the dedication of our qualified staff. We have global agreements with all major airlines with whom we, in close partnership, ensure a dedication in the service to our customers. We tailor our services to match your shipping requirements; It is our aim to have you rely on OSV to take care of your cargo, which enable you to have full focus on your business improvement.

Road Transport:

OSV offers both unmatched dependability and flexibility with our customized over-the-road trucking solutions. We have access to the equipment and capacity you need, no matter how exceptional your shipment is. Our professionals match your freight with the right vehicle and the right route and drive the process from end-to-end while providing a custom solution to meet your needs.



Customs Clearance

OSV

Having Registration at all major Indian Ports (Both Air and Sea) and with an experience of handling critical and sensitive shipments while saving huge costs & unnecessary duties to our clients we assure to offer the best in class Custom Clearance services; Including documentation support, Examination of Shipments and Getting clearance from other departments such as:

- Plant and Quarantine Department (Imports and Exports)
- Port Health Department
- FSSAI
- Drug & Cosmetics Controller
- Textile Committee
- BIS (Bureau of Indian Standards)

... and others



ONNSYNEX VENTURES PVT. LTD.

(An ISO 9001:2015, 14001:2015, 18001:2007 Certified Company)



DELHI NCR



MUMBAI/NHAVA SHEVA



CHENNAI

HQ: 1-A Ground Floor, Vipul Agora, MG Road, Gurgaon-122002, Haryana, India



91-124-4333006, 4333007



crm@onnsynex.com

OSV



International
Organization for
Standardization



www.onnsynex.com
www.freetradewarehousing.com